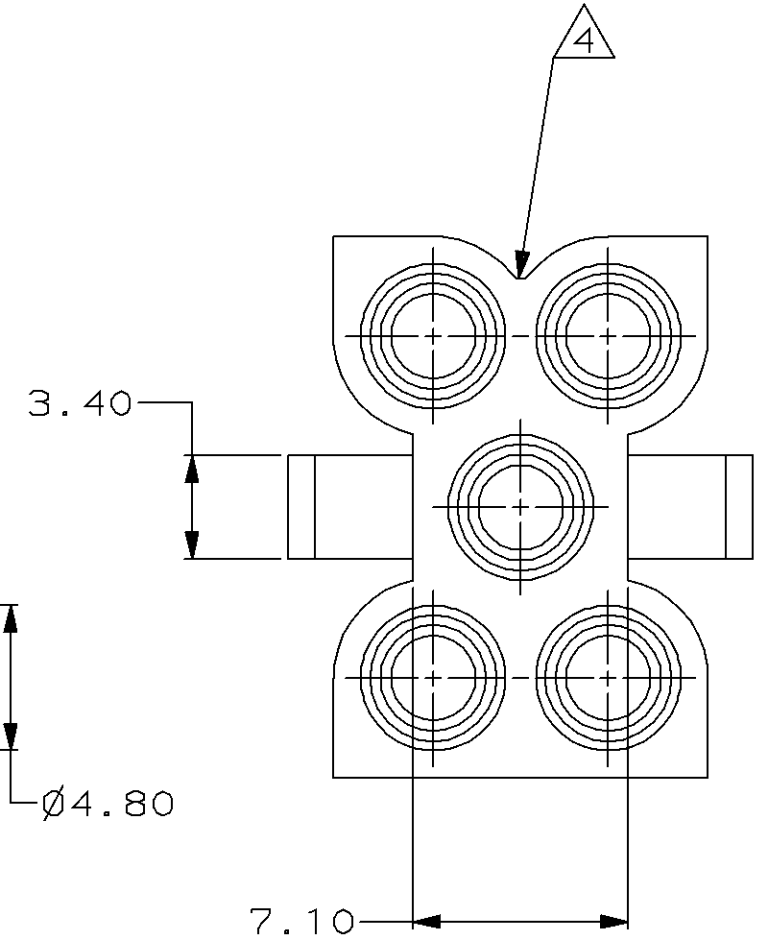
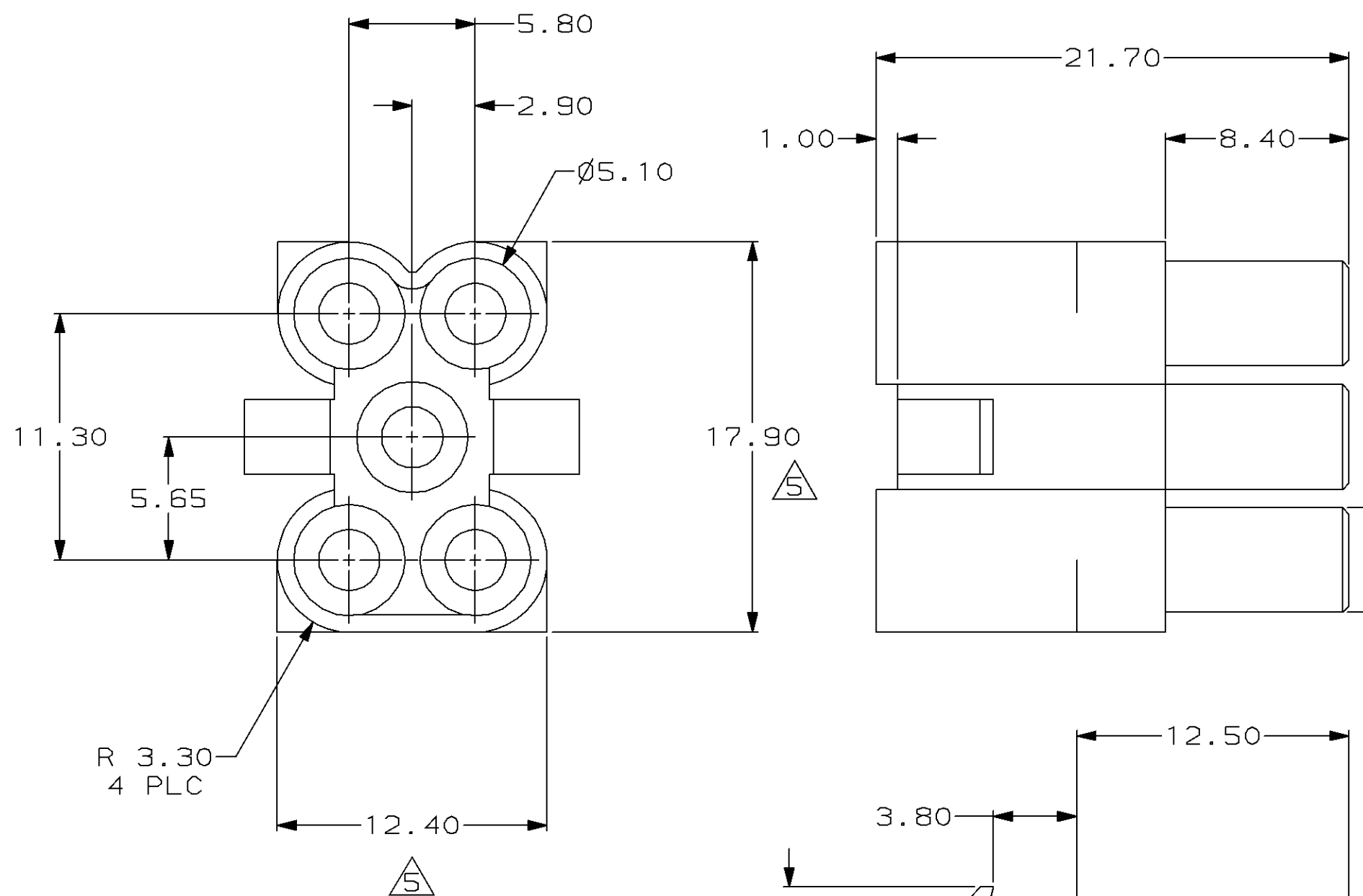


LOC		DIST		ZONE		LTR		REVISIONS		DATE	APPD
CM	53	P	F					E	REV PER ECN CM-3994	12-18-92	NG



1. ACCEPTS MATE-N-LOK™ SOCKET 350217.
 2. SOCKETS PROTRUDE 0.20 MAX AT MATING END; RECESSED 3.90 MIN. AT BACK END.
 3. CAUTION: THIS CONNECTOR IS NOT POLARIZED. IT HAS BEEN DESIGNED IN ACCORDANCE WITH THE INTERNATIONAL ORGANIZATION FOR STANDARDIZATION DESIGN DEPICTED IN DOCUMENT 5599/III DATED 4-27-77 UNDER RESOLUTION 59 OF ISO/TC 131/SC5/WG 3. INTENDED USE IS AS SHOWN IN FIGURE 1-1.
- 4 VISUAL POLARIZING FEATURE.
- 5 DIMENSION INDICATED IS AS MOLDED. ADDITIONAL GROWTH DUE TO SUBSEQUENT MOISTURE ABSORPTION MAY OCCUR.

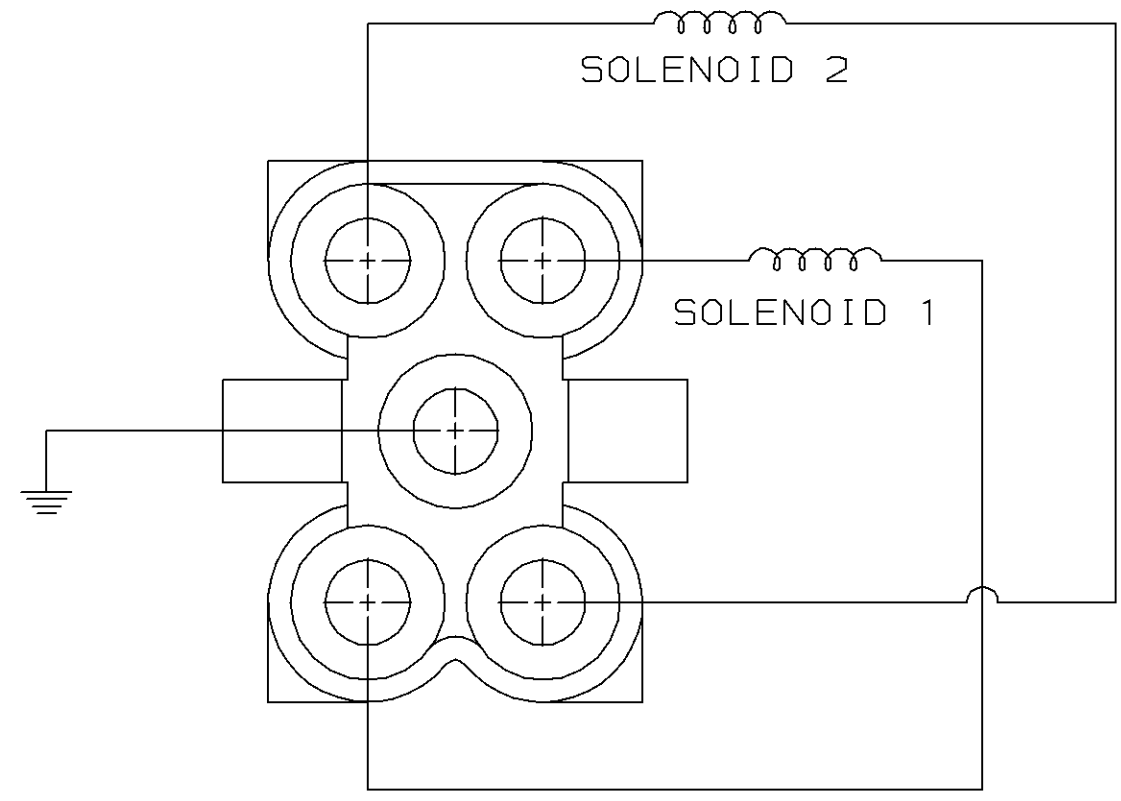
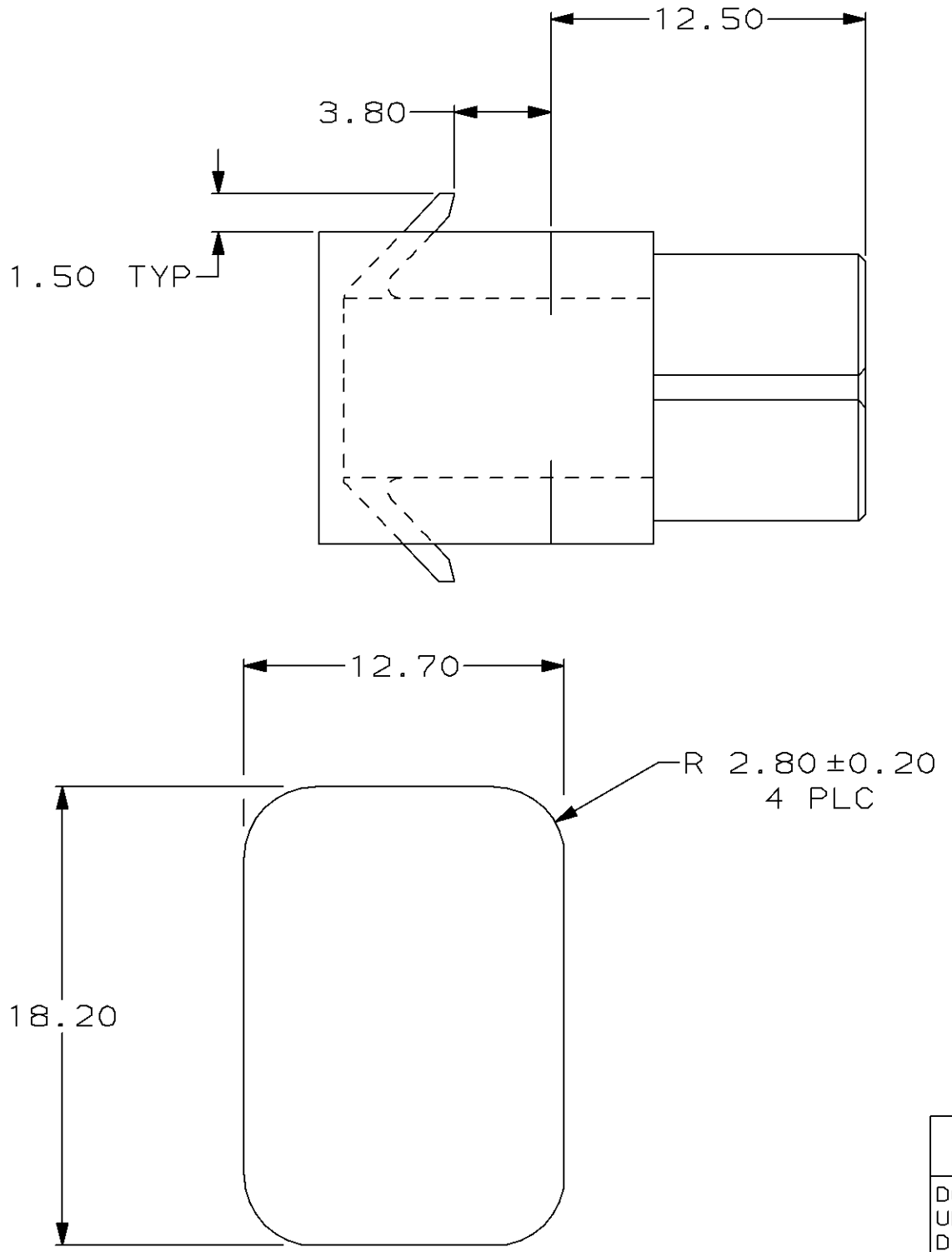
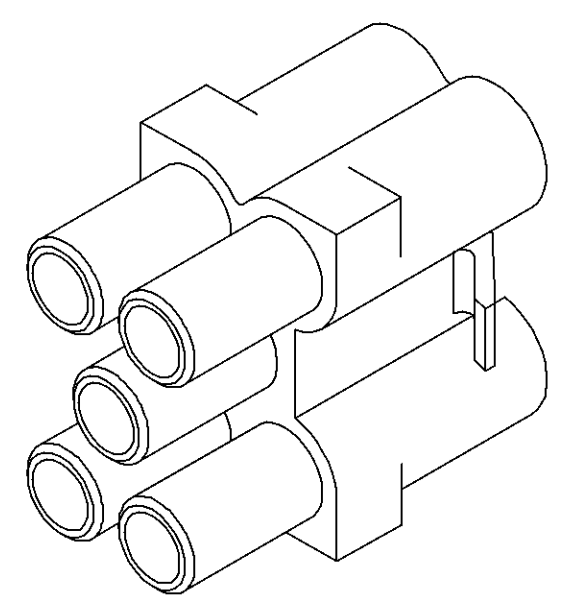


FIGURE 1-1



THIS HOUSING TO BE INSTALLED IN VALVE BODY

METRIC

THIS DRAWING IS A CONTROLLED DOCUMENT FOR AMP INCORPORATED. IT IS SUBJECT TO CHANGE AND THE CONTROLLING ENGINEERING ORGANIZATION SHOULD BE CONTACTED FOR THE LATEST REVISION.

DO NOT SCALE PRINT. UNLESS SPECIFIED DIMENSIONS IN mm [INCHES]		DR 11-24-92 K. WHITAKER		1-640406-0 PART NO	
TOLERANCES ON: 2 PLC DEC ± 0.10 3 PLC DEC ± - ANGLES ± -		CHK 11-24-92 R. SWING		AMP Incorporated Harrisburg, PA 17105-3608	
MATERIAL NYLON, UL 94V-2 NATURAL		APPD 12-11-92 D. SELF		NAME VALVE CONNECTOR, SOCKET HOUSING, 5 CIRCUIT, UNIVERSAL MATE-N-LOK™	
FINISH -		APPD 12-11-92 D. SELF		SIZE C 00779	
APPLICATION SPEC -		PRODUCT SPEC -		DRAWING NO C=640406	
WEIGHT -		SCALE 4:1		SHEET 1 OF 1	

CUSTOMER DRAWING